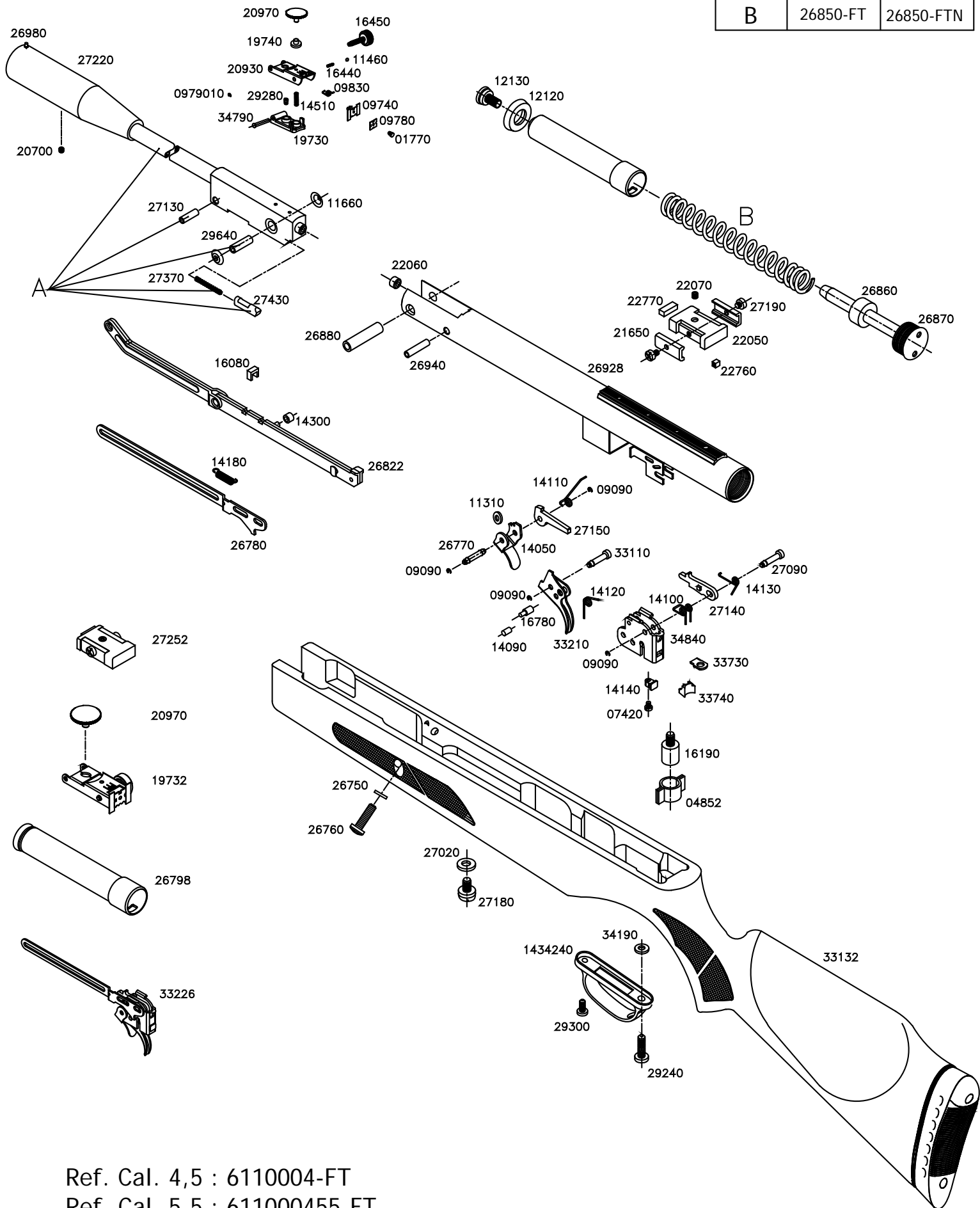


# HUNTER 1250



Ref.	Cal. 4,5	Cal. 5,5
A	26898	27168
B	26850-FT	26850-FTN



Ref. Cal. 4,5 : 6110004-FT  
 Ref. Cal. 5,5 : 611000455-FT